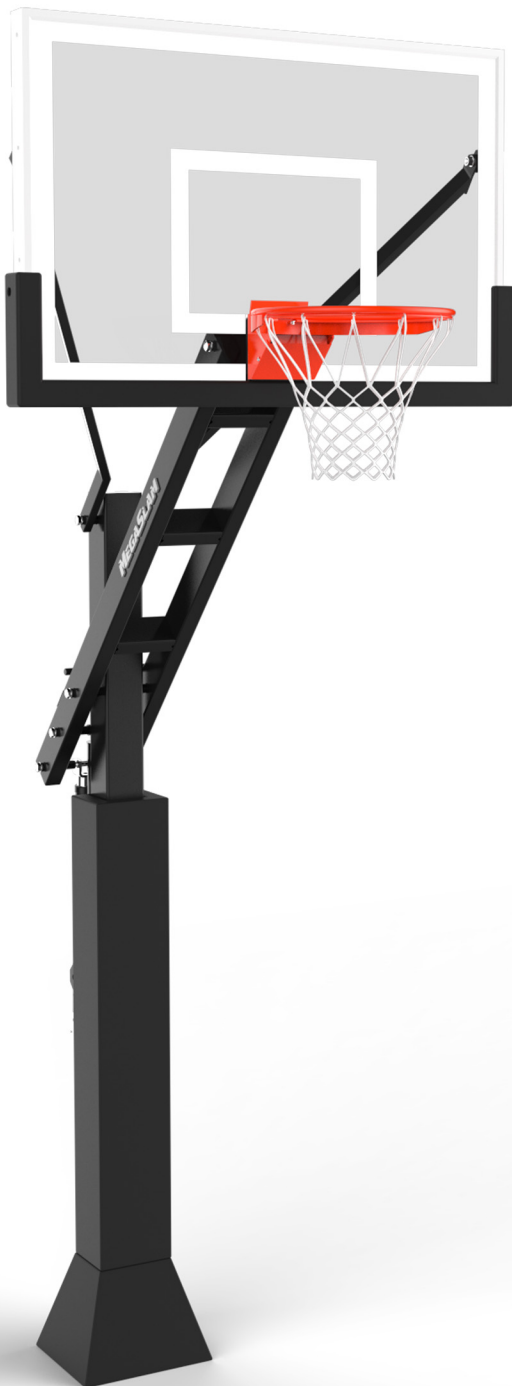




INSTALLATION AND OWNER'S INSTRUCTIONS



MEGASLAM 54

1-877-321-MEGA

www.megaslamhoops.com

Copyright © Mega Slam Hoops, LLC

All rights reserved. Unauthorized copying is prohibited by law without written permission.

TABLE OF CONTENTS

Safety Instructions.....	2
Hardware.....	3-6
Planning & Preparation.....	7
Specifications.....	8
Anchor Installation.....	9-10
Main Pole Assembly.....	11
Height Actuator & Lift Assist Assembly.....	12
Backboard Attachment.....	13
Rim & Height Sticker Attachment.....	14
Maintenance & Inspection.....	15

SAFETY INSTRUCTIONS



CAUTION



Owner/Purchaser must insure that all players have read these instructions and both know and follow these rules for the safe operation of the system.

To insure safety, DO NOT attempt to assemble this system without following the instructions carefully. Proper and complete assembly, use and supervision, and full understanding of the instructions are essential for proper operation and to reduce the risk of accident or injury. A high probability of serious injury exists if this system is not installed, maintained, and operated properly.

Proper and complete assembly, use and supervision is essential for proper operation of the product and to reduce the risk of accident or injury.

Use caution when using this goal system. Most injuries are caused by misuse and/or not following these instructions.

Only use parts provided by Mega Slam Hoops, LLC for installation as outlined in this manual as other parts may cause system to fail.

Installation of this product will require heavy lifting. (4) People in good physical condition and capable of lifting at least 90-100 lbs. (40-45 kg) each are recommended for safe installation and assembly.

Retain this manual for future reference of operation, maintenance and parts information. The information in this manual is based on the latest information available at the time of publication. Your goal may have product improvements and options not yet contained in this manual. Mega Slam Hoops, LLC reserves the right to make changes at any time without notice or obligation.

Keep water and organic material away from system as this could cause failure from rust/corrosion. Check system regularly for rust. If surface rust is found, remove the affected part and repaint with exterior enamel paint.

Contact the manufacturer if technical assistance is required. Additional copies of these instructions are available at www.megaslamhoops.com



811 Know what's below.
Call 811 before you dig.



WARNING



FAILURE TO FOLLOW THESE WARNINGS & INSTRUCTIONS MAY RESULT IN SERIOUS INJURY, DEATH, AND / OR PROPERTY DAMAGE

Locate your system away from potential dangers including trip hazards, high traffic areas, or where a vehicle may be in contact with the system.

To avoid serious injury, DO NOT locate the system under a power line that may come into contact with the system as it is raised. Power lines should not be present within a 20 foot radius of system.

Before digging the hole for the ground anchor, check for underground power, gas, telephone, water and other utility lines. Failure to do so could result in serious injury. Call 811 or call your local utility company to ensure that all underground utilities are a safe distance away from the anchor system.

If an auger or post hole digger is used, be sure you read and follow all instructions, warnings and cautions for such equipment.

If using a ladder during assembly, use extreme caution. Follow all warnings and cautions on the ladder carefully. Use caution when performing dunking activities with this product. During play, especially while performing dunking activities; keep players face away from the backboard and net. Serious injury could occur if teeth/face comes in contact with the backboard, rim, or net. **DO NOT HANG ON RIM!**

During play, do not wear jewelry (rings, watches, necklaces, etc.) or other objects that could become tangled in the net.

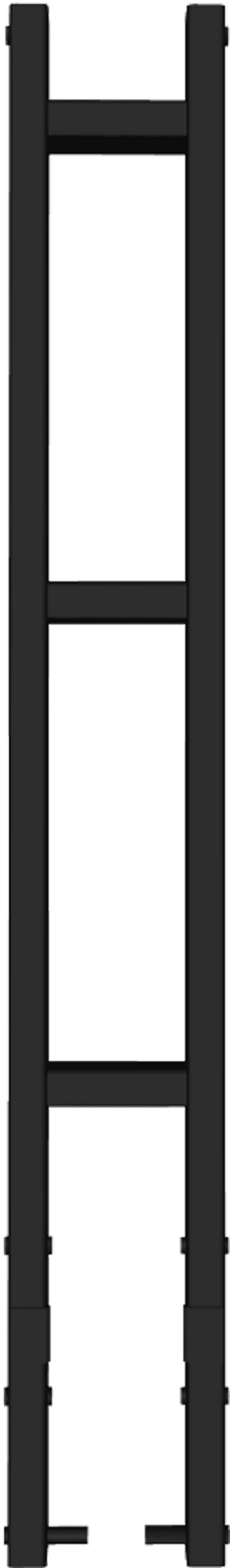
Wear a dentist approved mouth guard when playing to avoid dental injuries.

DO NOT CLIMB OR HANG on the rim or any part of the goal system. This includes the backboard, support braces and net. The product is not designed for such use and property damage or personal injuries such as cuts, broken bones, nerve, spinal cord or brain injury or death could occur.

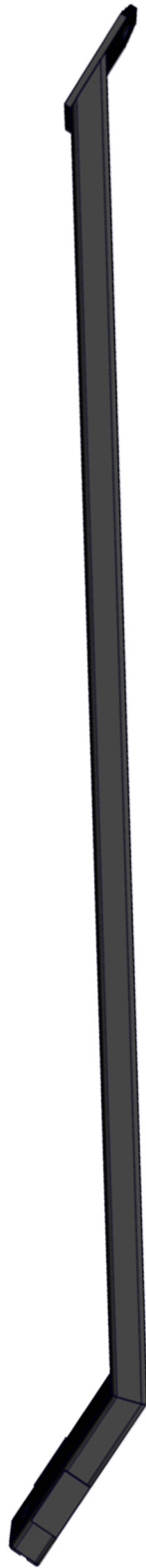
Do not use the system to lift anything. When adjusting the system height, keep hands/fingers away from moving parts. DO NOT ALLOW CHILDREN TO ADJUST SYSTEM.

Climate, corrosion, or misuse could result in system failure.

Check system before each use for loose hardware, signs of rust and instability. If the rust has penetrated the steel, replace that part immediately. Repair before each use. Never play on damaged equipment.



**Lower
Extension Arm**



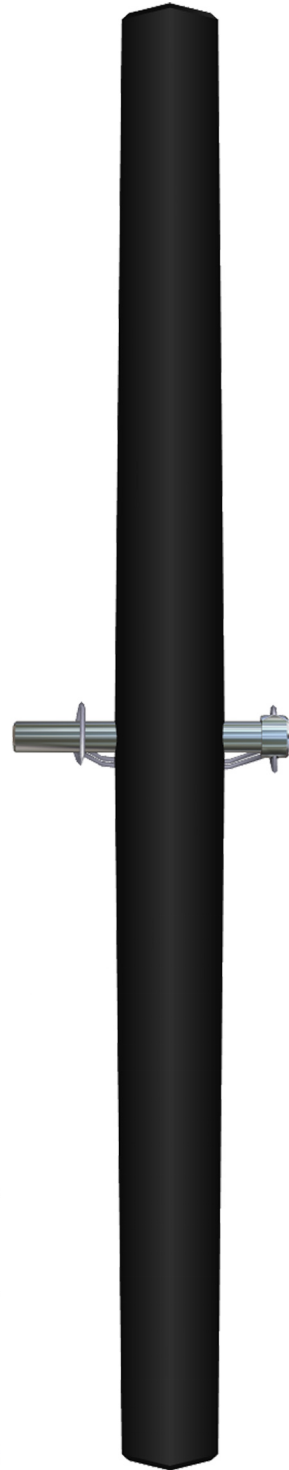
**(2) - Upper
Extension Arms**



**Lift
Assist**



**Height
Actuator**



Safety Pin



**Sleeve for
Lift Assist
Assembly**

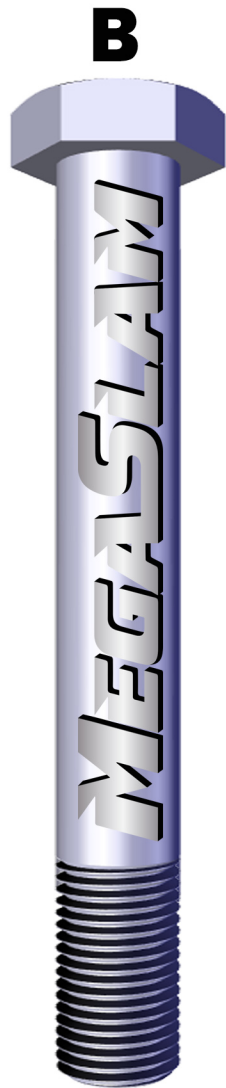


Handle

MEGASLAM 54



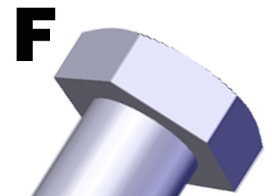
16mm x 5.25"



16mm x 4.75"



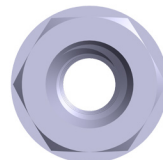
(2) - 12mm x 1.5"



16mm x 9.5"

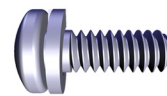
Rim Kit Hardware

1



(4) - 10mm Flange Nut

2



(2) - 5mm Screw

3



(4) - 10mm Carriage Bolt

4



(4) - 10mm Flat Washer

E



18mm x 13"

C, D, G



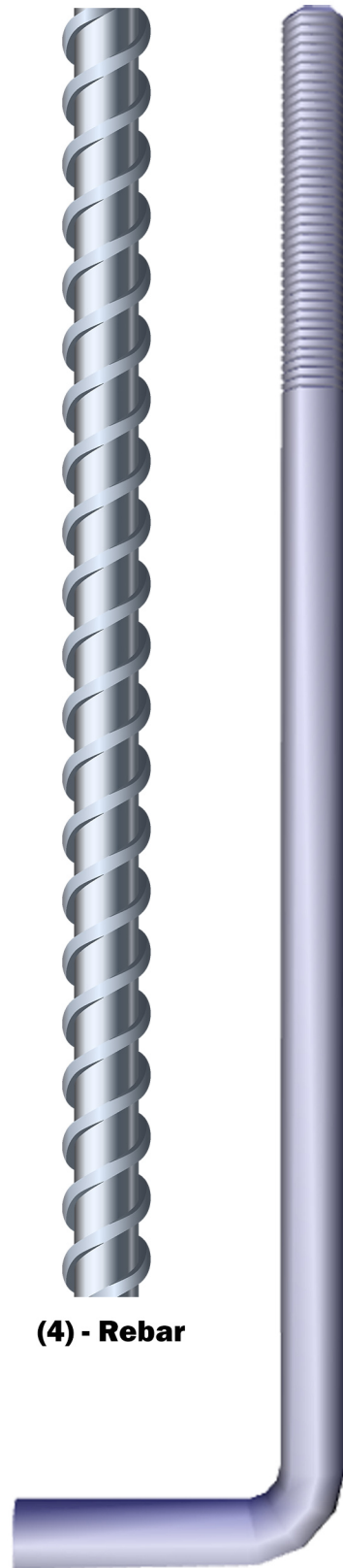
16mm x 13"
(3) Pieces



Height Indicator



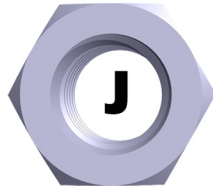
(4) - Rebar



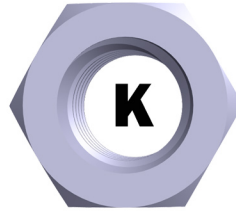
(4) J- Bolt



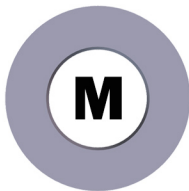
**12mm Hex Nut
(2) Pieces**



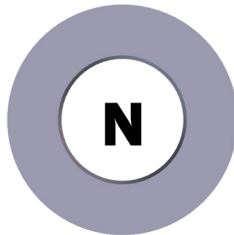
**16mm Hex Nut
(6) Pieces**



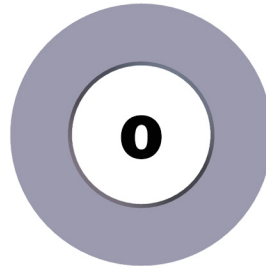
**18mm Hex Nut
(1) Piece**



**12mm Flat Washer
(4) Pieces**



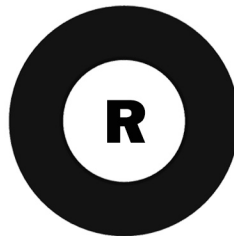
**16mm Flat Washer
(12) Pieces**



**18mm Flat Washer
(2) Pieces**



**12mm Nylon Washer
(6) Pieces**

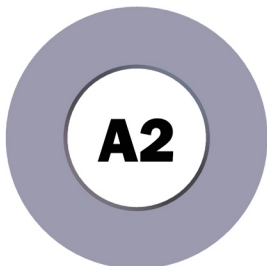


**16mm Nylon Washer
(6) Pieces + (2) factory
attached = (8) total**

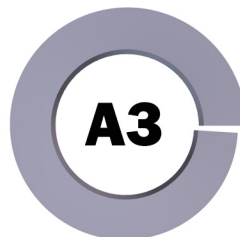


**18mm Nylon Washer
(2) Pieces factory
attached**

Anchor Kit Hardware



**Flat Washer
(8) Pieces**



**Lock Washer
(4) Pieces**



**16mm Hex Nut
(12) Pieces**

INSTALLATION TIMELINE

The assembly of the MegaSlam® basketball system consists of three phases.

PHASE 1

✔ Planning and Preparation

PHASE 2

Day 1: Install Anchor System & Pour Concrete

Day 2: Allow concrete to cure

Day 3: Allow concrete to cure

Day 4: Allow concrete to cure

PHASE 3

Day 5: Complete assembly of the MegaSlam® basketball system (Requires at least 4 adults)

PLANNING & PREPARATION (PHASE 1)



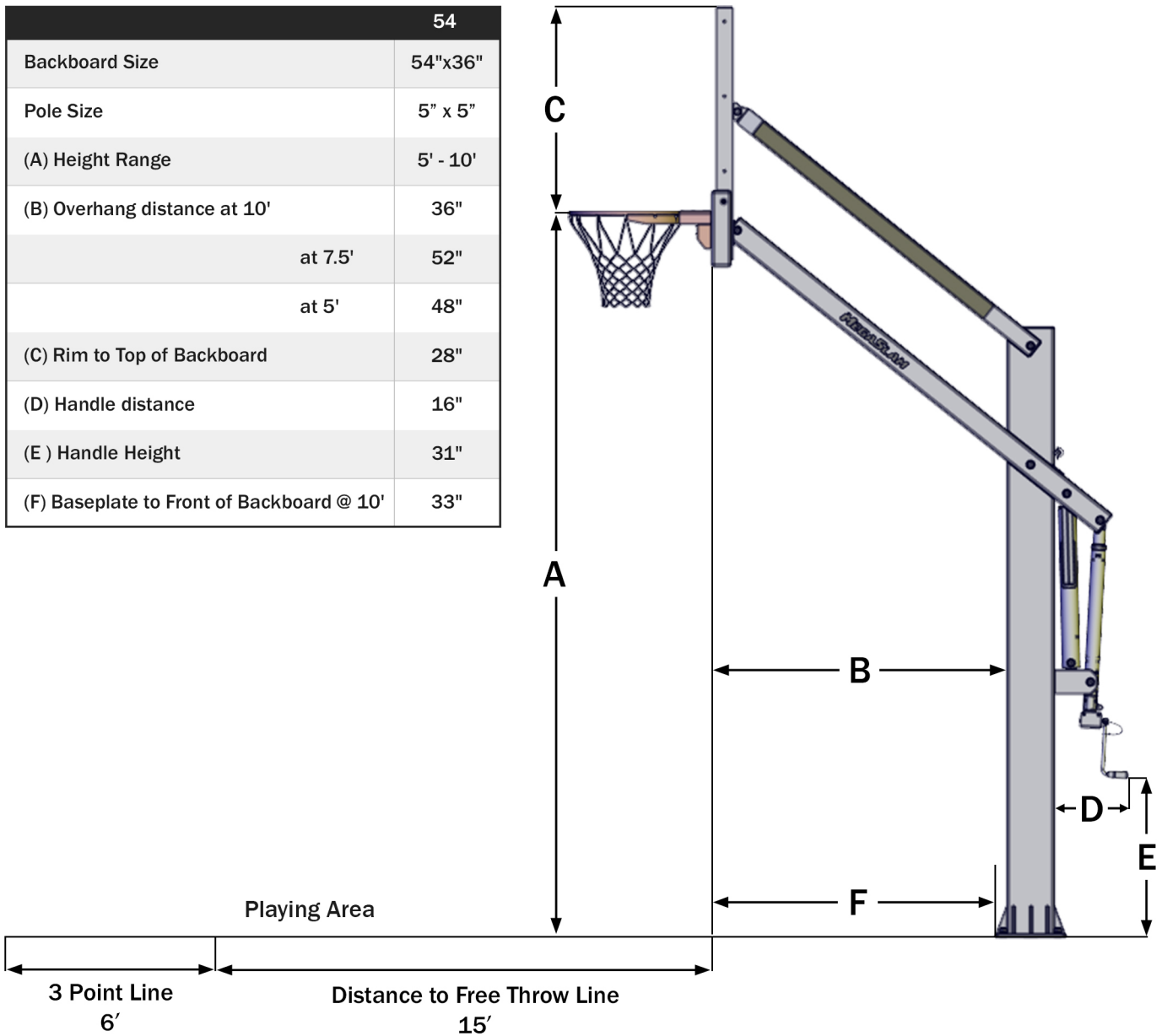
Utility Markings

Color	Definition
Red	Electric
Yellow	Gas, Oil, Petroleum
Orange	Communication, Phone, TV
Blue	Potable Water, Irrigation
Green/Brown	Sewer
White	Proposed Dig

1. Call **811** from anywhere in the country a few days prior to digging, and your call will be routed to your local One Call Center. Tell the operator where you're planning to dig, what type of work you will be doing and your affected local utilities companies will be notified about your intent to dig. In a few days, they'll send a locator to mark the approximate location of your underground lines, pipes and cables, so you'll know what's below - and be able to dig safely.
2. Inventory and identify all parts and hardware using the Hardware List. Be sure to check all packaging materials for hardware and parts, and immediately contact Mega Slam Hoops if there are any missing parts.
3. Gather all of the items needed for assembly not included with the product as outlined on page 6.
4. Locate a suitable area for the playing court. Always keep safety in mind when selecting your location.
5. Your MegaSlam® Basketball system should be located to provide a paved, smooth, and level playing surface that is as far away from the street as possible to enable a safe playing environment.
6. The following factors should be evaluated prior to selecting a location:
 - Underground utilities
 - Surrounding power lines (No overhead power lines should be within a 20 ft. radius of the system.)
 - Overhang – distance from front of pole to front of backboard when adjusted to 10'
 - The amount of playing surface desired surrounding the goal.
 - The Mega Slam® basketball system will be a permanent structured once installed.
 - The playing surface must be free of any hazards or obstructions.

GOAL SPECIFICATIONS

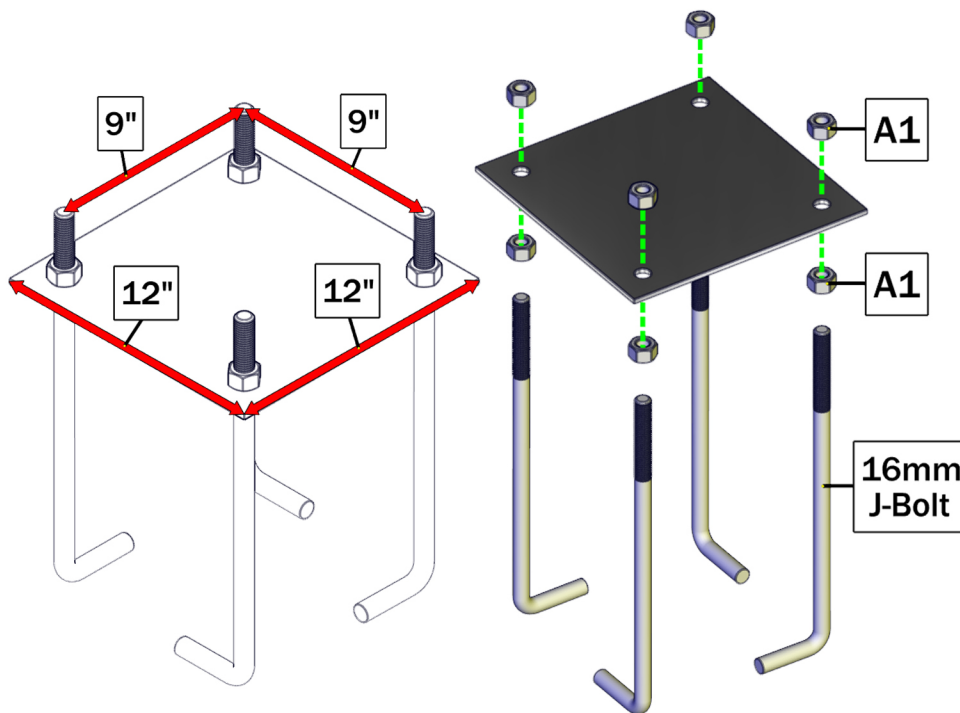
	54
Backboard Size	54"x36"
Pole Size	5" x 5"
(A) Height Range	5' - 10'
(B) Overhang distance at 10'	36"
at 7.5'	52"
at 5'	48"
(C) Rim to Top of Backboard	28"
(D) Handle distance	16"
(E) Handle Height	31"
(F) Baseplate to Front of Backboard @ 10'	33"



ITEMS NEEDED NOT INCLUDED WITH SYSTEM

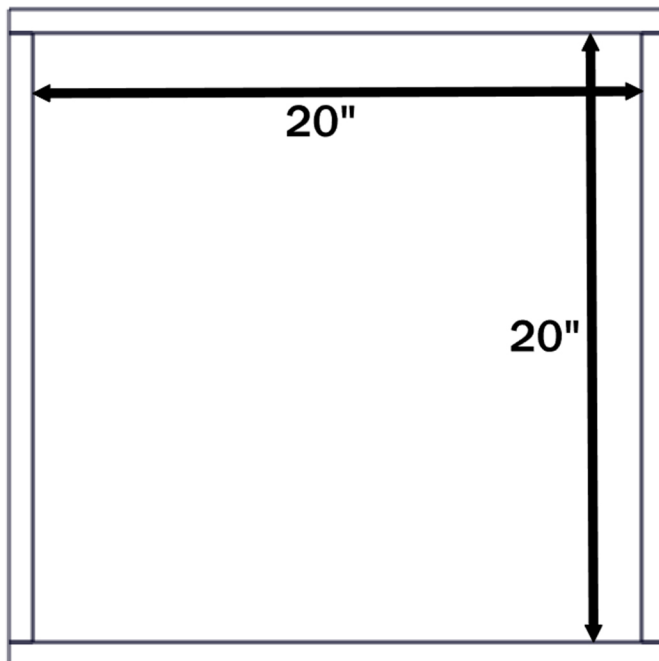
- Post Hole Digger
- Shovel
- Wheel Barrow
- (20-22) 80 lbs. bags of concrete or (27-30) 60 lbs. bag of concrete with a strength of 4000 PSI or greater
- Garden Hose
- (6) Stakes to secure form boards
- Trowel
- Hammer and nails
- Level
- Tape Measure
- (2) Large Crescent Wrenches
- 2"x4" lumber

ANCHOR INSTALLATION (PHASE 2 - DAY 1)



STEP #1 Anchor Assembly

Twist (4) nuts (A1) to the bottom of threads on (4) J-bolts. Place these J-bolts through the holes on the black anchor plate and install (4) nuts (A1) and tighten. The bottom of the J-bolts should be positioned as shown.



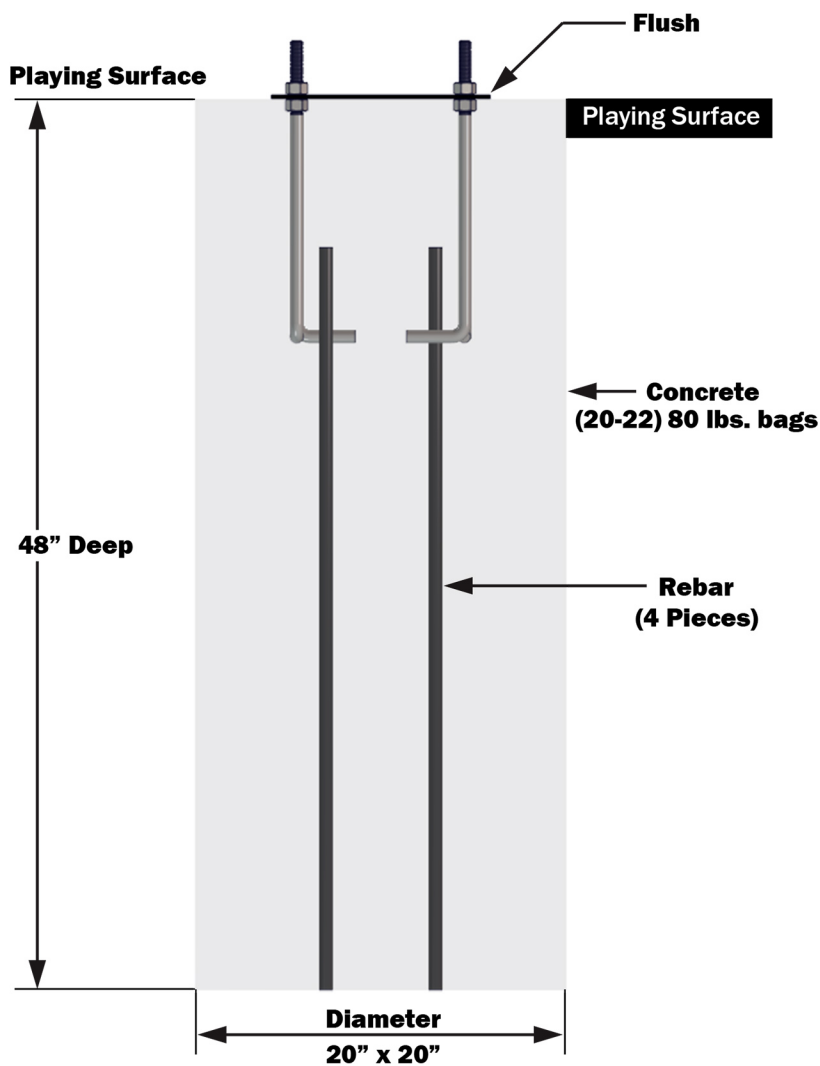
STEP #2 Anchor Installation

WARNING

The weight of the system does not allow it to be anchored to an existing concrete pad.

Dig a hole 20"x 20"x 48" deep.

Use 2" x 4" lumber to form the top of the hole for finished aesthetics. The top edge of the form boards should be level with the playing surface.



⚠ IMPORTANT

Be sure to have the proper amount of concrete on hand so the full amount of concrete can be poured in one session. If concrete is not poured monolithically instability can occur to the base of the system resulting in system failure.

Place assembled anchor system in hole to the point where bottom of black plate is flush with the top of the finished concrete.

The (4) nuts (A1) on the bottom of the anchor plate will forever be placed in the concrete.

Mix (20-22) 80 lbs. bags of concrete with a strength of 4000 PSI or greater in a wheel barrow or cement mixer and pour in pre-dug hole about half full. Agitate concrete with shovel or mixing rod to ensure proper fill. Place (4) pieces of No. 4 Rebar (included) in middle of hole about 6-8" apart to create a square in the middle of the hole.

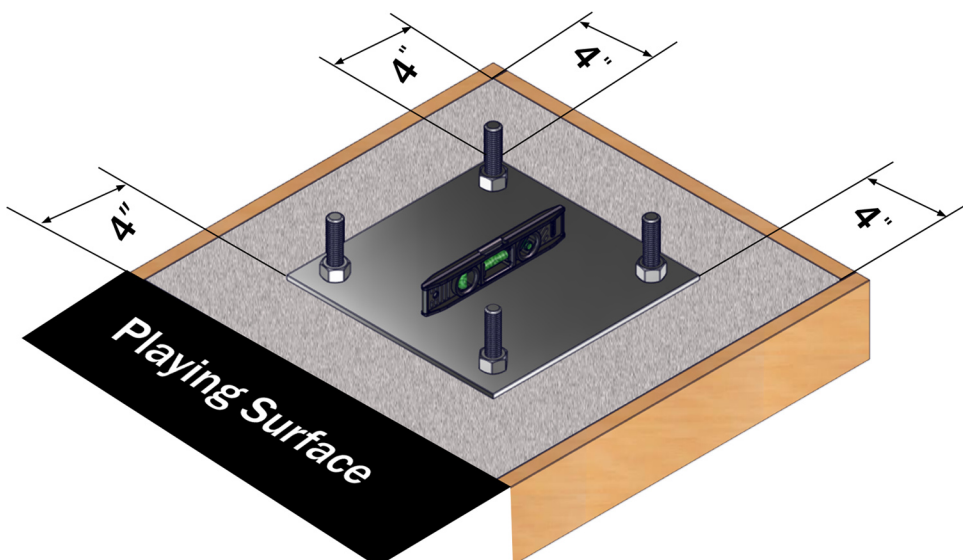
Pour the remaining concrete in the hole until it is flush with the top of the form boards and smooth with a cement trowel.

STEP #3 Placement and Leveling

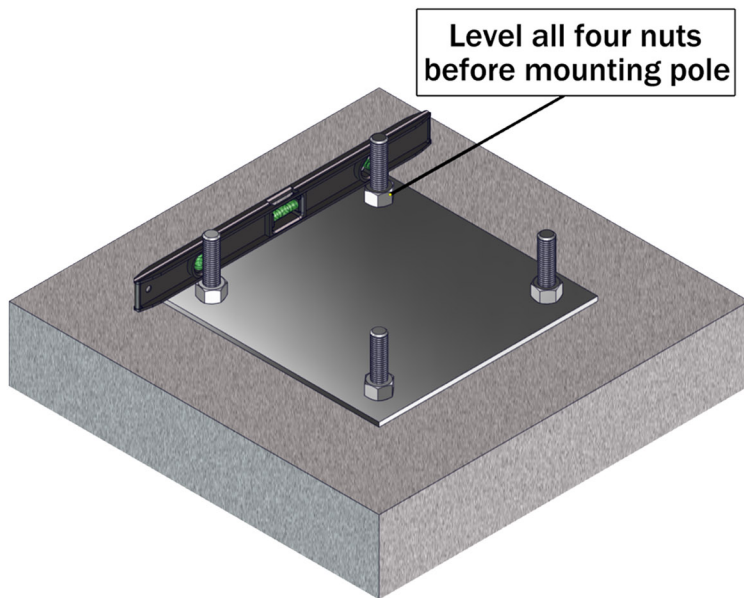
Use a tape measure to verify that the anchor is square to the playing surface.

Use a level to verify that anchor plate is level from front to back and side to side.

Allow the concrete to cure for a minimum of 3 Days.



BASKETBALL SYSTEM ASSEMBLY (PHASE 3 - DAY 5)

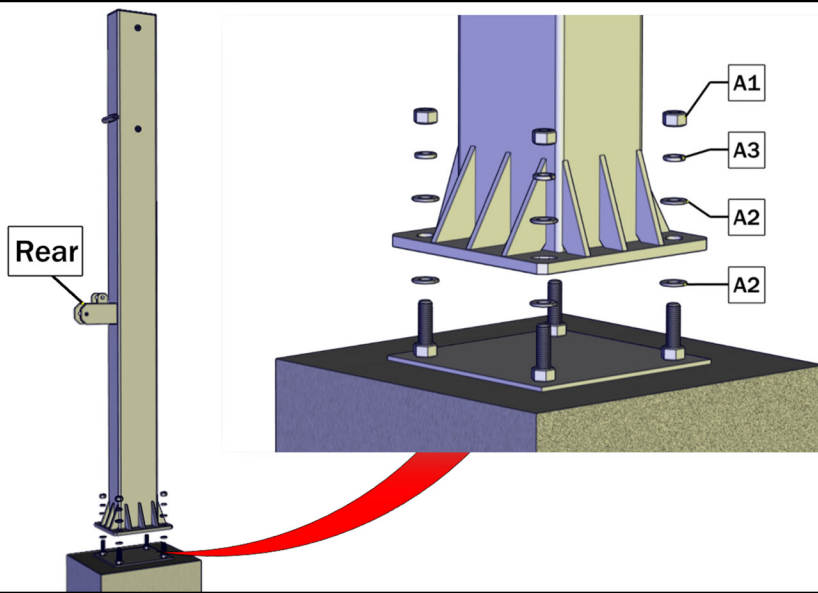


STEP #1 Level Anchor

⚠ IMPORTANT

- Allow 72 hours of concrete to cure before installing.
- Verify to see that there is no concrete or debris obstructing the threads on the anchor bolt holes by threading the anchor bolt holes in and out.

Verify with level that nuts on anchor system are perfectly level and parallel to playing surface. A slight rotation of the nuts may be required to produce a level surface before mounting the main pole.

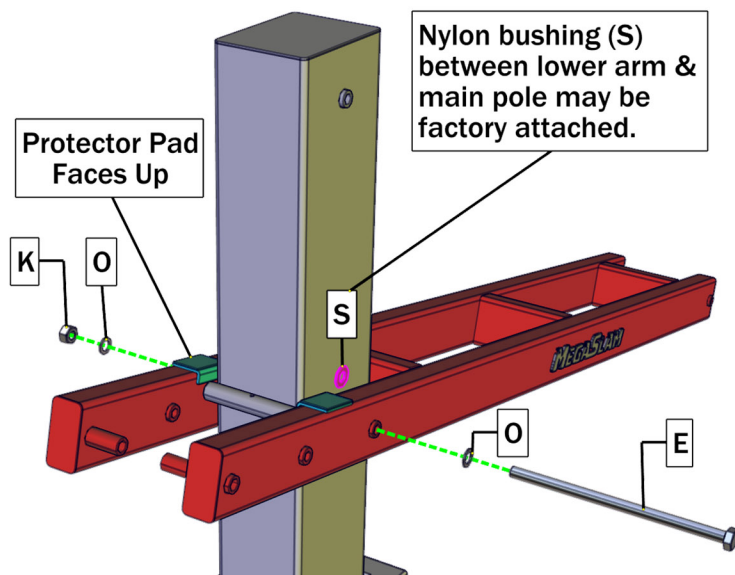


STEP #2 Main Pole Assembly

⚠ WARNING

Four people are recommended for safe installation of the system

Install (4) metal washers (A2) on top of anchor bolts and install main pole as shown in diagram with welded bracket facing away from playing surface. Place (4) metal washers (A2) on top of base plate followed by (4) lock washers (A3) and (4) nuts (A1) and tighten. Make sure that base plate is square to playing surface.

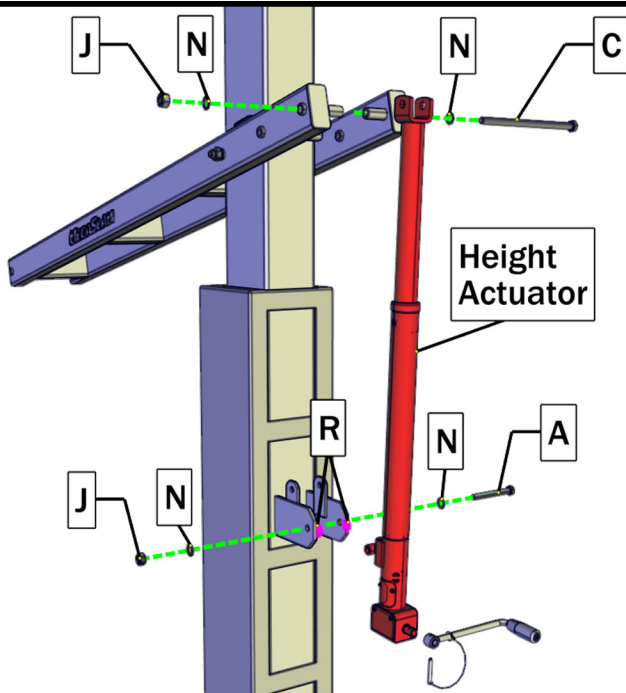


STEP #3 Lower Extension Arm Assembly

⚠ IMPORTANT

Do not fully tighten nut until instructed to do so later in the installation process.

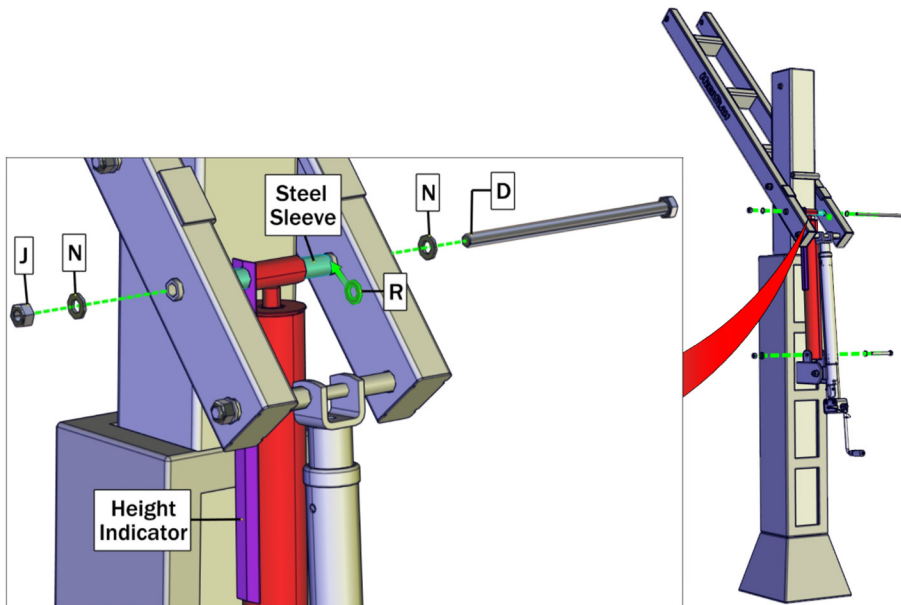
Install bolt (E) with (1) metal washer (O) through hole as shown in diagram. Nylon bushings (S) will be between the main pole and lower extension arm, and may be factory attached. Once the bolt is through the main pole and other side of lower extension arm, install (1) metal washer (O) followed by nut (K).



STEP #4 Height Actuator Assembly

Place height actuator behind main pole and install bottom bolt (A), metal washers (N), nylon bushings (R) and nut (J) as shown in diagram. Nylon bushings (R) are installed between welded bracket and height actuator.

Rotate handle to lengthen the actuator to the point where the upper holes are properly aligned with the holes on the rear of the upper extension arm. Install top bolt (C), metal washers (N), and nut (J).



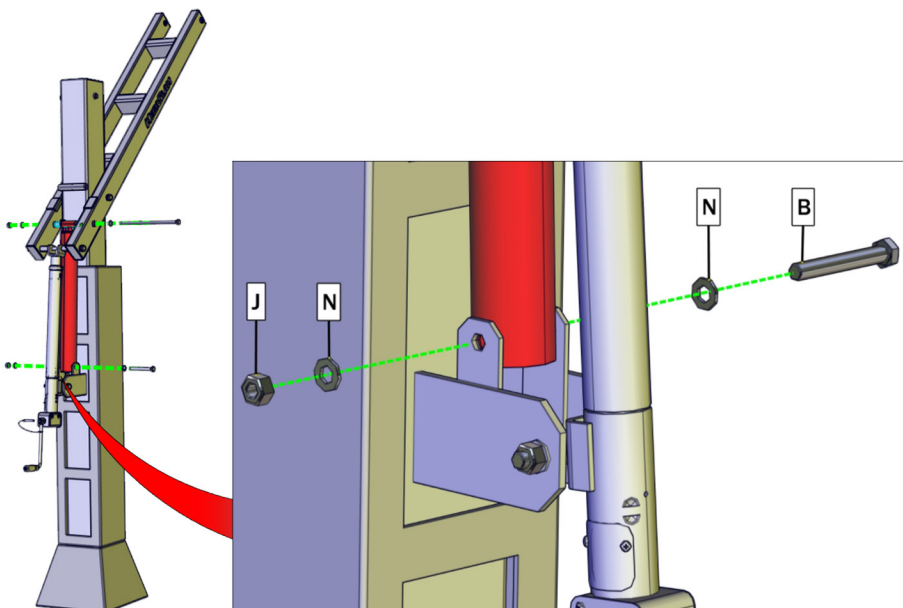
STEP #5 Lift Assist & Height Indicator Assembly

Slide sleeve for spring assembly through upper portion of spring cartridge prior to insertion of bolt (D).

Place (1) spring cartridge behind main pole and install upper bolt (D) with (1) metal washer (N), through first side of lower extension arm.

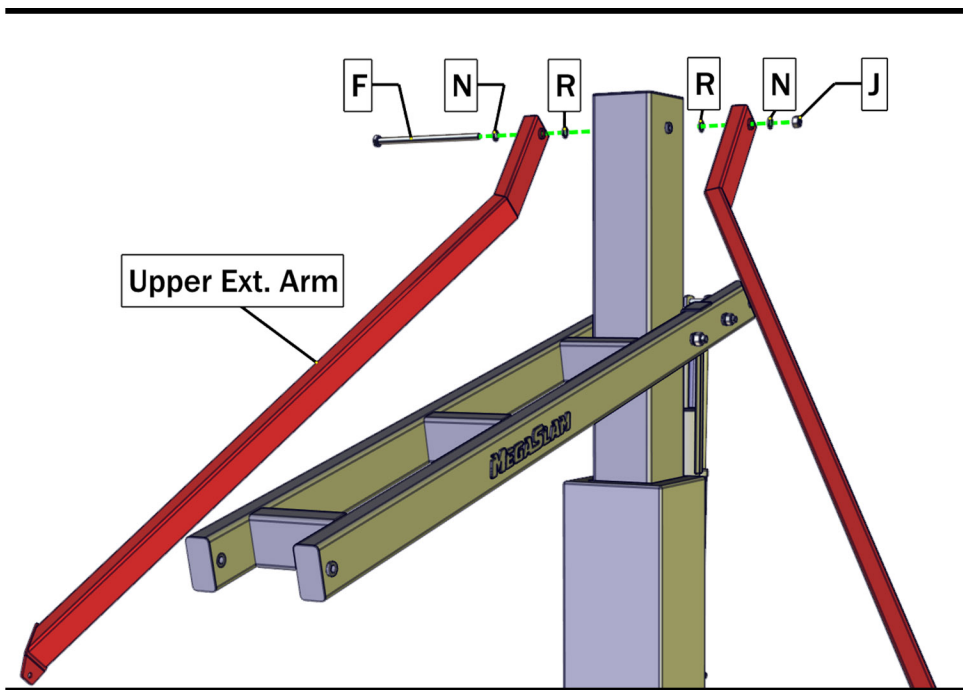
⚠ IMPORTANT

Once bolt has passed through the first side of the lower arm, install height indicator over bolt as shown in diagram.



After the height indicator is in place, push upper bolt (D) through (1) nylon bushing (R), and (1) spring cartridge. Prior to inserting bolt through the other side of the lower extension arm install (1) nylon bushing (R). Once bolt passed through lower extension arm attach (1) metal washer (N) followed by nut (J).

Install lower bolt (B) with (1) metal washer (N) through hole as shown in diagram. After bolt is through spring cartridge install (1) metal washer (N) followed by nut (J).



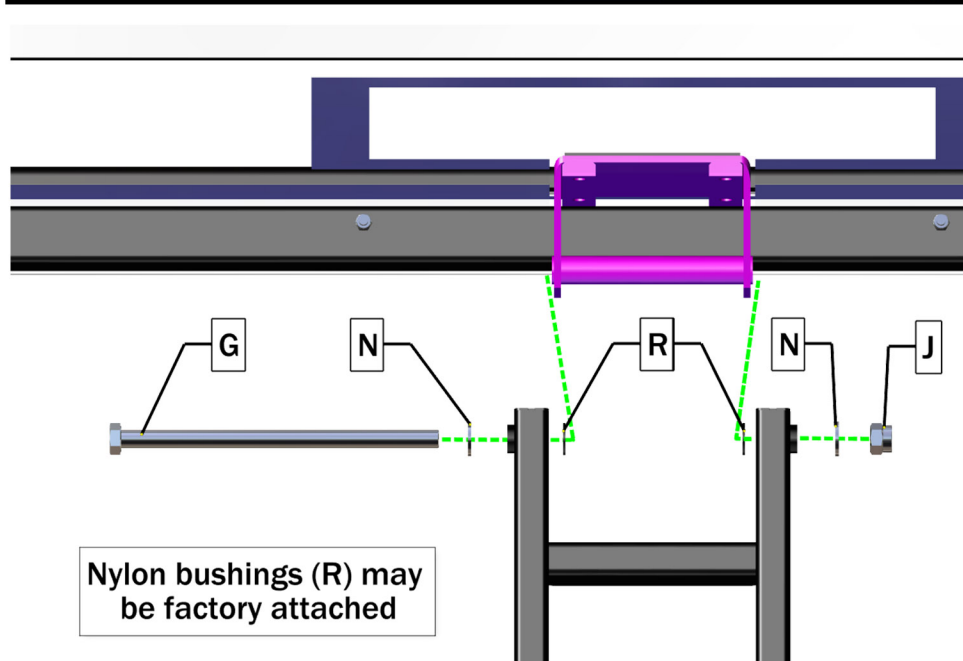
STEP #6 Upper Extension Arm Assembly

⚠ IMPORTANT

- Rotate handle on atuator to lower the extension arm to the lowest point before proceeding.
- Do not fully tighten nut until instructed to do so later in the installation process.

Attach the upper extension arms to the main post using the following:

- Bolt "F" - 16mm x 9.5" (1)
- "N" - 16mm steel washer (2)
- "R" - 16mm nylon washer (2)
- "J" - 16mm hex nut (1)



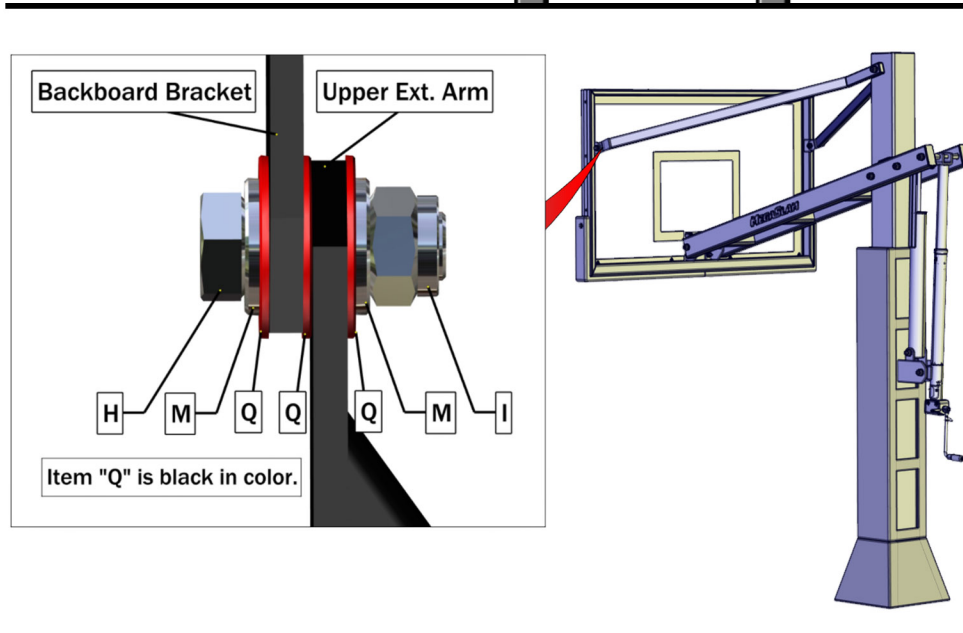
STEP #7 Backboard Attachment to Lower Extension Arm

⚠ WARNING

To prevent serious injury or death, if using a stepladder, make sure it is in good condition, setting on a level and stable surface and do not exceed its weight rating.

Use three or four people to raise backboard assembly. Each person should be in a good physical condition and capable of lifting at least 90-100 lbs (40-45 kg) each.

Rotate the handle of actuator and place the extension arm in the lowest bottom position before attaching the backboard.



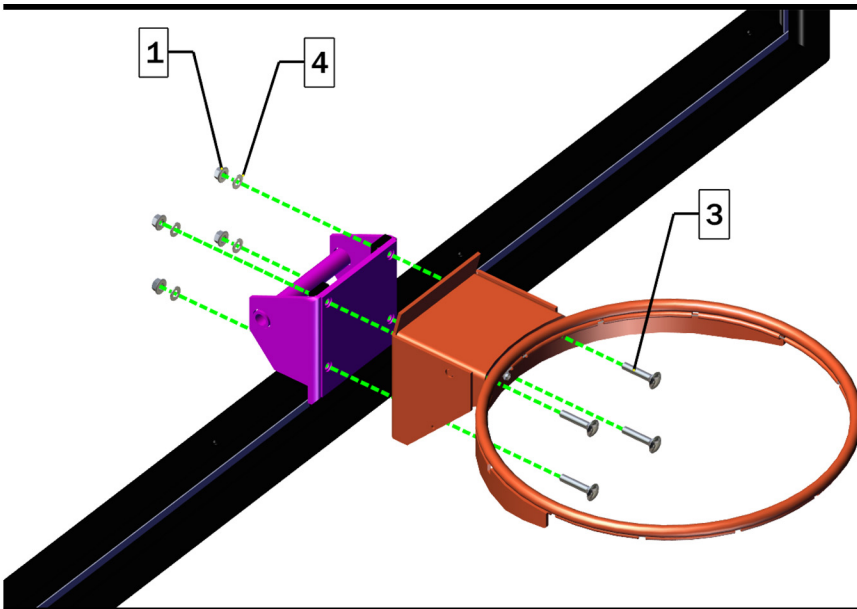
STEP #8 Upper Extension Arms Attachment to Backboard

Attach the upper extension arms to the backboard using the following:

- Bolt "H" - 12mm x 1.5" (2)
- "M" - 12mm steel washer (4)
- "Q" - 12mm nylon washer (6)
- "I" - 12mm hex nut (2)

⚠ IMPORTANT

Fully tighten all nuts and bolts on the basketball system at this time. Be cautious not to over-tighten hardware. Over-tightening could lead to difficulties when raising or lowering the rim to different heights.



STEP #9 Rim Attachment

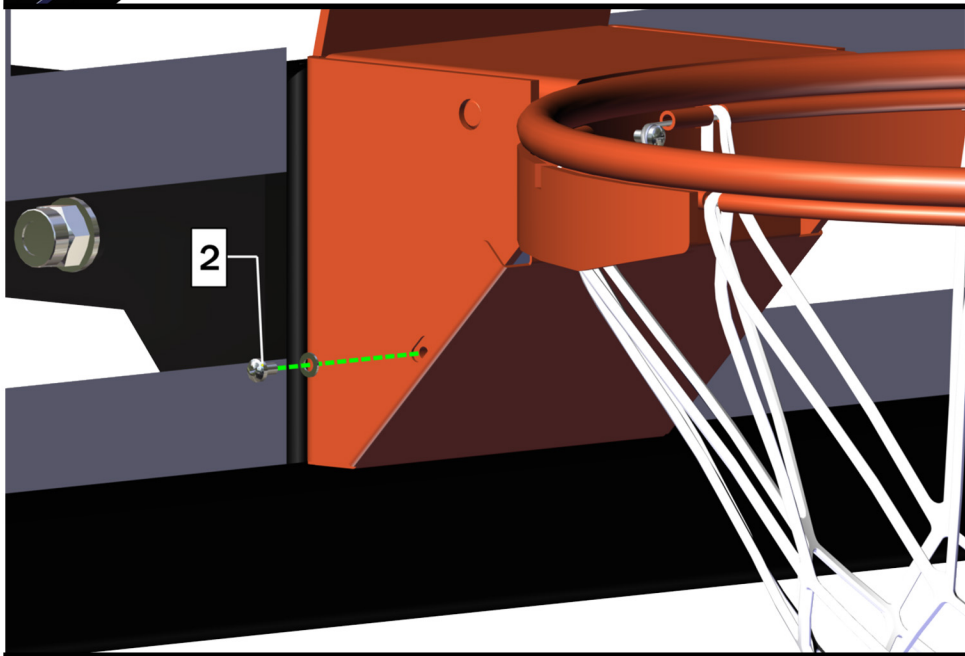
Attach the rim to the backboard using the following:

Bolt "3" - 10mm carriage bolt (4)

"4" - 10mm steel washer (4)

"1" - 10mm flange nut (4)

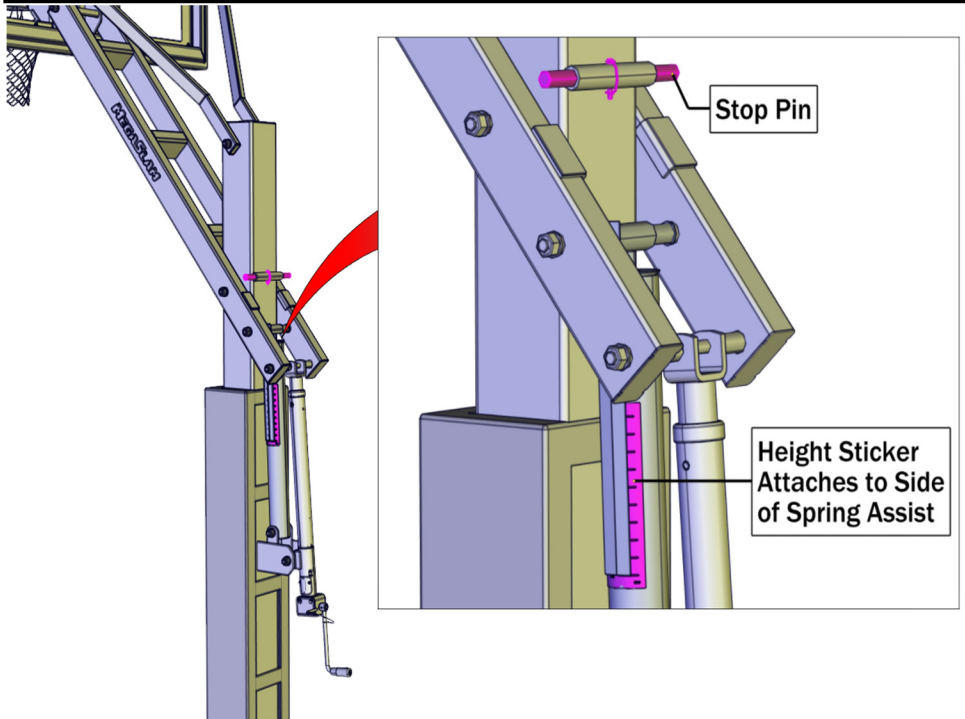
Make sure rim is level before tightening.



STEP #10 Rim Plate Attachment

Attach the rim plate to the rim using the following:

"2" - Machine Screw (2)



STEP #11 Stop Pin & Height Sticker Installation

Place end of tape measure on top edge of rim and raise backboard to a measurement of 10'H. Once the height of 10' above the playing surface is achieved place height marker sticker on side of spring cartridge.

⚠ IMPORTANT

Inserting the Stop Pin will limit lowering the system to a height of 7.5', and trying to lower below 7.5' with the pin inserted can damage the system.

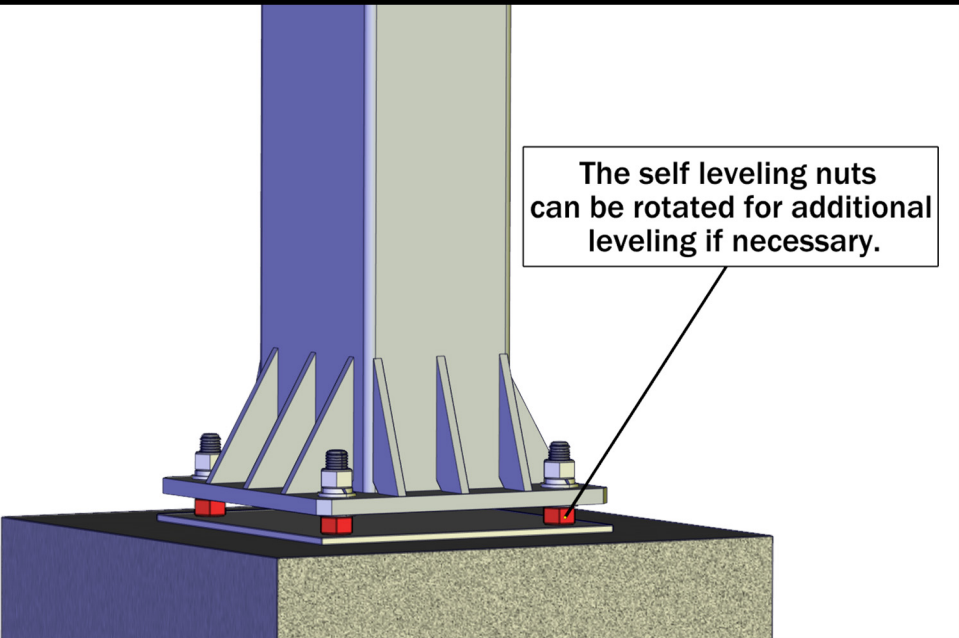
Install the Stop Pin through designated hole and secure with ring as shown in diagram.

STEP #12 – Additional Leveling

WARNING

Do not remove the top nuts securing the post to the anchor as this will cause the system to tip over and fall down causing severe injuring including death.

If additional leveling is required, you can rotate the self-leveling nuts beneath the baseplate.



The self leveling nuts can be rotated for additional leveling if necessary.

STEP #13 Maintenance

Like any piece of hardware proper maintenance is required. Several factors such as the environment, organic materials, herbicides, pesticides, excessive use, or misuse can eventually cause the system to require periodic maintenance. Failure to do so could result in system failure, property damage, or even personal injury.

- a) Keep all organic materials (grass clippings, garbage, etc.) away from the steel pole or base plate to alleviate any chance of rust penetrating the powder coated finish.
- b) Clean the backboard periodically with water and a soft cotton cloth. Approved glass cleaners work as well to maintain the clear view glass backboard. To properly clean the system components use a soft, non-abrasive cloth and water with a mild detergent. Do not use abrasive materials to clean as it could damage the powder-coated finish on your basketball system.
- c) If you see any signs of rust on the system remove the loose paint, gently sand the area, and apply outdoor enamel gloss paint to the affected area.

STEP #14 Routine System Inspection

Before each use inspect the basketball system for any signs of the following:

- Loose nuts and bolts
- All parts and components for excessive wear and tear
- Any signs of rust or corrosion

If replacement parts are needed, only replacement parts from Mega Slam Hoops, LLC should be used in the repair process. Use of other parts may cause the system to fail resulting in serious injury or death and will void the manufacturers' limited lifetime warranty